

GEHL®

RS5-19 GEN:3 TELESCOPIC HANDLER



KEY FEATURES

- ✓ 5,500 lbs. (2495 kg) Rated Capacity
- ✓ 19'1" (5.8 m) Lift Height
- ✓ 69-hp Tier IV Yanmar Engine
- ✓ 3,000 lbs. (136 kg) Capacity at Full Lift Height
- ✓ **ALL-NEW** Single Joystick Control with F-N-R
- ✓ 2-Speed Forward/Reverse Hydrostatic Drive
- ✓ Four-Wheel Drive / Four-Wheel Steer
- ✓ Steering Wheel Mounted Horn
- ✓ Power Port in Cab
- ✓ Single Key Start
- ✓ Lockable Storage Area in Cab



RS5-19 GEN:3

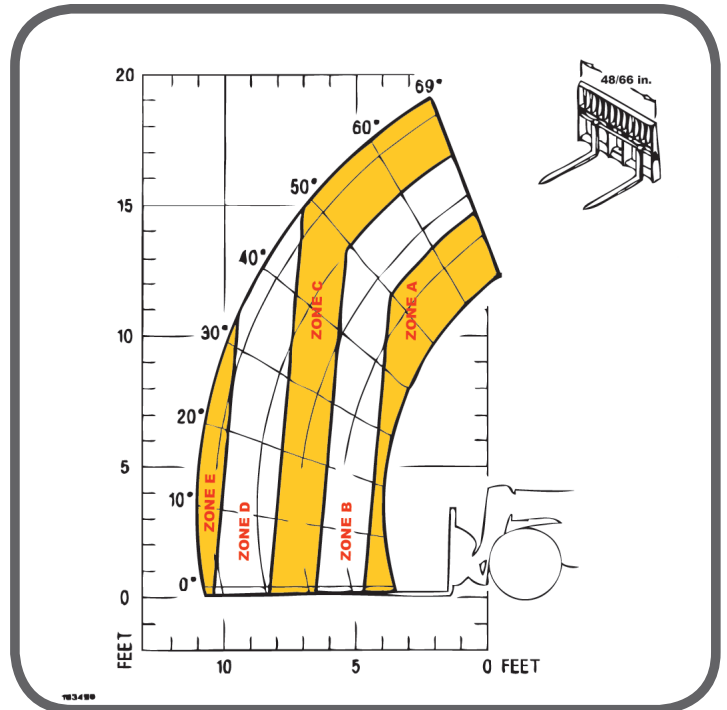
TELESCOPIC HANDLER



SPECIFICATIONS

CAPACITIES	Lift Capacity (kg)	5,500 lbs. (2495)
	Maximum Lift Height (m)	19'1" (5.8)
	Capacity at Maximum Lift Height (kg)	3,000 lbs. (1361)
	Maximum Forward Reach (m)	11'0" (3.4)
	Capacity at Max. Forward Reach (kg)	1,850 lbs. (84)
	Max. Reach Below Grade (mm)	0" (0)
ENGINE	Manufacturer	Yanmar
	Power (kW)	69 hp (50.1)
	Aspiration	Natural
	Model	4TNV98C Tier IV
	Rated Speed	2500 rpm
COMPONENTS	Transmission	Rexroth 2-speed
	Maximum Travel Speed (km/hr)	15 mph (24)
	Selective Steering	4-wheel 2-wheel Crab
	Hydraulically Actuated Internal Wet-Disc Brakes	2-Wheel
	Parking Brake	Spring-Applied, Hydraulic Release (SAHR) on Front Axle
	Axle Manufacturer	Dana
HYDRAULIC SYSTEM	Pump Type	Gear
	Total Capacity (L/min)	20 gpm (76)
	System Pressure (bar)	3,350 psi (231)
	Hydraulic Reservoir Capacity (L)	18 gal. (68)
	Approximate Weight (kg)	10,000 lbs. (4536)
GENERAL SPECIFICATIONS	Length – Less Forks (m)	12'4" (3.8)
	Width (m)	5'11" (1.8)
	Ground Clearance (mm)	14" (350)
	Wheelbase (m)	7'6" (2.29)
	Turning Radius (m)	11'0" (3.35)
	Overall Height (m)	6'4" (1.93)
	Frame Leveling	N/A
	Fuel Capacity (L)	17 gal. (64)
	TIRE OPTIONS	12.00 x 16.5 Bias/10 PR
12.00 x 16.5 Bias/10 PR - Foam Filled		
12.00 x 16.5 Solid Rubber		
12.00 x 16.5/ 10 PR Turf Tires		

LOAD CHART



- A** 5,500 lbs. (2495 kg)
- B** 4,000 lbs. (1815 kg)
- C** 3,000 lbs. (1361 kg)
- D** 2,000 lbs. (908 kg)
- E** 1,850 lbs. (840 kg)

ALL-NEW!



Single Control Joystick with boom functions, fork tilt and aux. line control, and also F-N-R shifting.

GEHL reminds users to read and understand the operator's manual before operating any equipment. Also, make sure all safety devices and shields are in place and functioning properly.

GEHL reserves the right to add improvements or make changes in features and specifications at any time without notice or obligation.



GEHL COMPACT EQUIPMENT

GEHL
geh.com